

## TSItouch and Barco

TSItouch provides touch capabilities to Barco UniSee

### TSItouch

**TSItouch** is a manufacturer of touch screen and protective solutions for commercial grade displays and video walls. Customer satisfaction is our top priority. That's why we offer our customers the best products the industry has to offer. We are dedicated to consistently providing our customers with high quality, cost-effective products and services. TSItouch is an employee-owned business located in Uniontown, Pennsylvania. TSItouch was established in 1989 as a division within a defense contracts company and re-established as an independent company in 2011.



### Barco

**Barco** is a global leader in immersive and collaborative visualization for situation rooms, executive briefing centers, board rooms and control rooms for crisis communications, emergency operations, energy, transportation and other 24/7, mission-critical environments. Our comprehensive portfolio features near-seamless LCD video walls and completely seamless rear projection LED and RGB Laser video walls, which facilitate knowledge-sharing and promote better, faster decision-making.

#### Barco UniSee

With Barco UniSee, Barco brings an unseen spectacular viewing experience to LCD video walls. By completely rethinking and optimizing every aspect of tiled LCD video walls, Barco UniSee introduces one unique uniform view while ensuring faster installation, easier servicing, and higher reliability. This makes it the perfect LCD video wall platform for a multitude of applications – including control rooms, corporate lobby's, experience centers, showrooms and many more.

Key features of Barco UniSee:

- 55" bezel-less tiled LCD video wall platform with NoGap technology
- Innovative mounting structure with automatic alignment
- Sense X real-time and continuous calibration
- Fastest servicing and diagnosing
- Modular, future-proof platform

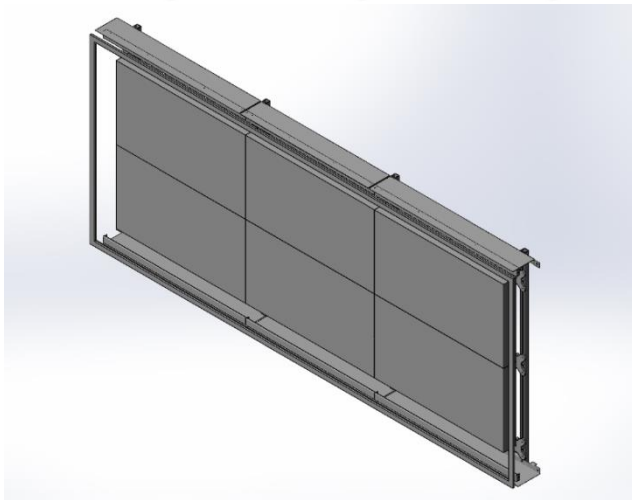
### TSItouch and Barco: a closer look

The Barco UniSee touchscreen system from TSItouch has been designed to easily integrate over the top of most popular UniSee configuration adding interactivity and collaboration to any application, inspiring multiple users to engage, share and bring content to life. The solution is based off a 32 Point Infrared Touch Overlay designed by TSItouch, which has up to a 6ms response time and touch accuracy within 2mm. Fast tracking speed and high accuracy touch



engagement add to the already intuitive experience allowing for easy navigation of any multitouch application. Applications are endless with target sectors including command and control rooms, broadcast sets, corporate lobbies, exhibition sets, and retail. The Barco Unisee TSITouch screen adds a whole new dimension to your videowall visualization experience.

The touch screen system from TSITouch is compatible with both landscape and portrait oriented UniSee video wall configurations. The TSITouch system is compatible with any landscape mounted video wall configuration at a maximum of 2 displays high and at a maximum of a 500" diagonal. For portrait mounted video walls, the TSITouch system is compatible with any configuration at a maximum of 1 display high with a maximum of a 500" diagonal.



3x2 Barco UniSee with touch overlay



1/4" glass touch panes on Barco UniSee

## Benefits

- **Fast and accurate touch action** – The 32 Point Infrared Touch Overlay provides 6-16ms response time and a +/- 2mm touch accuracy.
- **Intuitive in use** – Natural access to content and application with multitouch and multiple user input, supporting collaborative engagement and accelerating visualization outcomes.
- **Durable and protected** – The full steel chassis provides heavy protection to the sides and outer corners of the video wall displays. Combined with clear tempered safety glass, the bezel provides a high level of protection to the video wall displays.
- **Easy screen access**– Protective glass may be removed modularly to access the displays behind each piece, in the case of monitor failure.
- **24/7 reliability** – The UniSee TSITouch screen is built to last and more than capable of resisting the demands of any heavy use environment.

## Key specifications

- Detectable touch points- 32 touch points
- Touch accuracy- +/- 2mm
- Touch response- 6-16ms response time
- Touch method- Finger, gloved hand, pointer
- Overlay material- clear tempered protective glass
- Touch bezel- cold rolled steel bezel provides heavy protection to outer video wall edges

## Get started today

To learn more about the Barco UniSee TSItouch interactive solution set – please contact your Barco or TSItouch sales representative. For help finding the correct representative in your region please reach out to the contacts listed below.

## Request more information

- Aaron Mundrake, Director of Sales, TSItouch, [aaronm@tsitouch.com](mailto:aaronm@tsitouch.com)
- Tyler McDonald, Strategic Alliance Manager, Barco, [tyler.mcdonald@barco.com](mailto:tyler.mcdonald@barco.com)

### About the Barco Strategic Alliances program

Great products need great focus. That is why Barco allies with other top players in their fields of expertise to build the best solutions available. By combining complementary strengths, we can optimize the integration of the systems and offer one single system

to the customer. This simplifies deployment, optimizes efficiency, minimizes reaction time, and reduces costs in a variety of selected professional markets. This creates a win/win situation for all parties involved, our customers in the first place.

More information? Please visit our dedicated webpage [www.barco.com/alliances](http://www.barco.com/alliances)