

IndigoVision and Barco

IndigoVision Control Center integrates with Barco CMS visualization

IndigoVision

IndigoVision designs and manufactures video security solutions. While others make just cameras, we make people feel safe. It's not about pixels or data rates or cameras and software. It's about how all those things work together. We design your system end-to-end, with no single point of failure, so it's reliable. We design it with Distributed Network Architecture so it's flexible. We make it smart, so your system migrates to IP and works with our HD cameras. A global support team backs it all up so your problem is our problem. That's when you discover that safe is a wonderful feeling.



Barco

Barco provides flexible and mission-critical visualization software and hardware products consisting of high-quality displays, rear-projection and near-seamless LCD video walls, graphics controllers and a **Control Room Management suite (CMS)** – an advanced software for easy display wall management, efficient collaboration and fast decision making based on sharing the right visual information at the right time easily.

General Concept

IndigoVision's Control Center is a powerful and easy to use system that enables you to manage all your video surveillance operations and investigate security events quickly and effectively in one integrated platform.

Users can now control the live video content on a Barco video wall from within Control Center, making it quick and easy to share critical information with an entire control room.

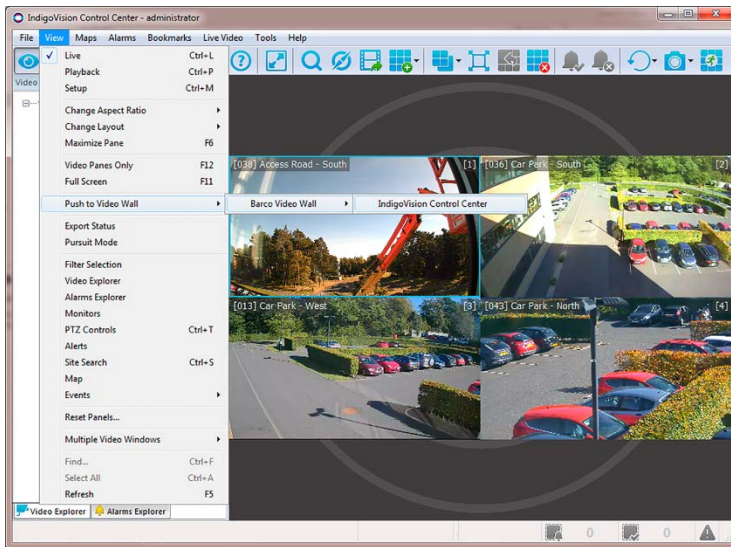
A single click allows operators to 'push' an entire live video window from Control Center to a Barco video wall; meaning that live video streams of the chosen cameras in the current Control Center pane layout are displayed quickly and seamlessly via the integration.

Configuring Control Center with a Barco video wall is a one-time administration task, requiring only the IP address of the Barco CMS server and the selection of one or more CMS Perspectives dedicated to present video content. Administrators can also use Control Center's access permissions to control which users can share video on defined CMS Perspectives on the video wall.

Advantages

- **Live video in ONE click**
Multiple live video streams can be shared easily and quickly at once
- **Full situational awareness when it matters most**
The video wall receives a Control Center window including all chosen cameras
- **Improved incident handling**
Sharing incidents fast and precise supports informed decisions and actions
- **No operator retraining**
One integrated system for display management and visual collaboration

Barco CMS Functionality within IndigoVision Control Center



The Control Center window (see screenshot above) including all current live video streams in their specific pane layout are selected to be sent to the Barco video wall.

The administrator can also choose which Barco perspectives dedicated for video content should be available to Control Center operators. It is possible to provide chosen operators with access to defined Barco video walls and CMS Perspectives.

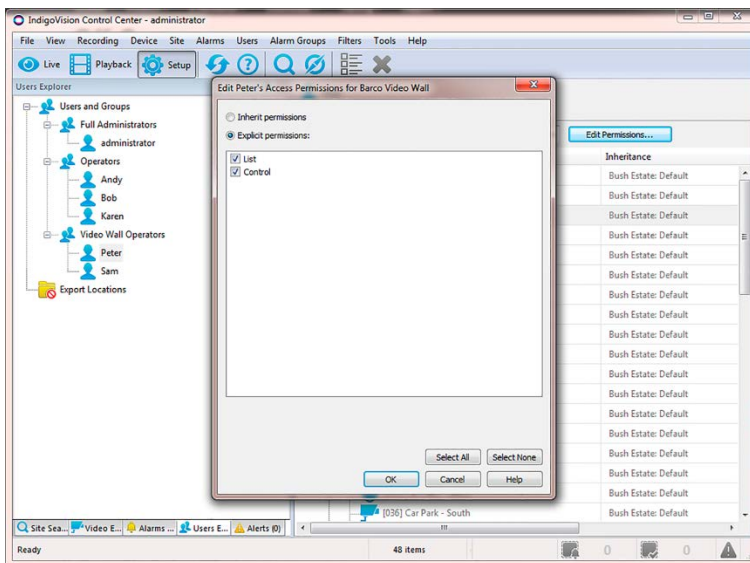
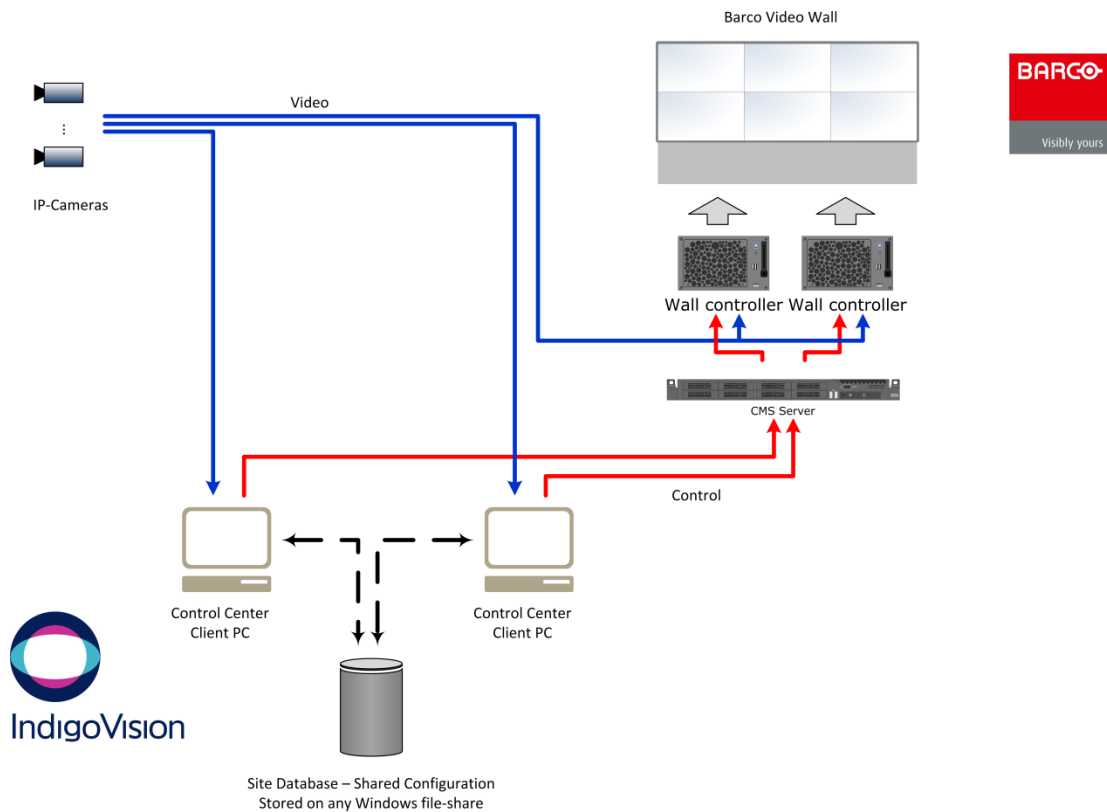


Fig 1

Access rights per IndigoVision Control Center Operator to the Barco video wall

The Control Center window is fully representative in the defined Barco CMS Perspective on the Barco video wall. With a single click the Control Center window (see screenshot above) including all current live video streams in their specific pane layout are selected to be sent to the Barco video wall.

Architecture



Integration flow

To integrate Control Center with a Barco video wall, Control Center must be installed on at least one PC. The system administrator creates a Barco video wall object in Control Center, specifying the IP address of the CMS server and selects one or more Barco perspectives that video can be pushed to.

For a Control Center operator a single click is all that's required to present live video streams from a Control Center window on the Barco video wall.

Solution requirements

- Barco
 - Barco Transform N system (installed/licensed):
 - o Control Room Management Suite (CMS) version 2.8
 - Licenses:
 - o Standard applicable CMS licenses
 - o Alliance Integration License – IndigoVision Control Center
- IndigoVision
 - Control Center v13.0
 - Control Center Enhanced Management Software License per device
 - IndigoVision ONVIF conformant and proprietary cameras and/or encoders (please request detailed information from IndigoVision)

Please always contact Barco and IndigoVision for needs analysis and documented quotations.

Request more information

- **Sales and Support Team**, IndigoVision Ltd., enquiries@indigovision.com
- **Suchit Rout**, Director - Global Strategic Marketing, Barco, alliances@barco.com

About the Barco Strategic Alliances program

Great products need great focus. That is why Barco allies with other top players in their fields of expertise to build the best solutions available. By combining complementary strengths, we can optimize the integration of the systems and offer one single system

to the customer. This simplifies deployment, optimizes efficiency, minimizes reaction time, and reduces costs in a variety of selected professional markets. This creates a win/win situation for all parties involved, our customers in the first place.

More information? Please visit our dedicated webpage www.barco.com/alliances